

Product Specification

Material

Brass & ABS Material, Chrome Finished

Product Capability

Cartridge : Mixer Ceramic Cartridge Sedal
 Durable test : 70.000 cycles
(Based on EN817 : 2008)
 Maximum Pressure : 7 kg/cm²
 Maximum Temperature : 90°C
 Working Pressure : ½ - 4 kg/cm²

Package Include

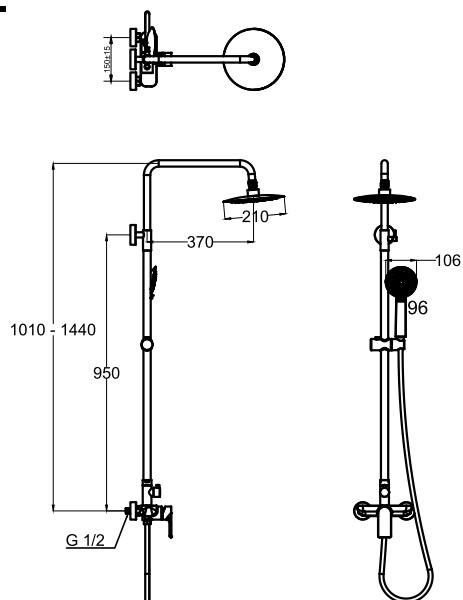
Brass Mixer Faucet	Top Bar
ABS Material Hand Shower	Slide Bar
150 cm SS 304 Flexible Hose	Slide & Rotate Hanger
ABS Material Wall Shower	Fitting Kits

Product Features

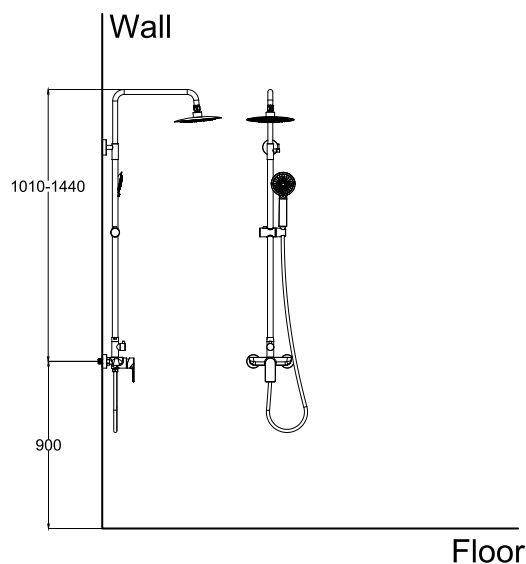
Hot & Cold
 Switch Control Faucet
 Slide Bar
 Slide & Rotate Hanger



Technical Drawing



Installation Details



Disclaimer : While we endeavor to provide the most accurate, up-to-date information available, the content on this document may be change due to requirements in different sites, markets and/or countries, out of date or include omissions, inaccuracies or other errors. All content is subject to change without prior notice.