

## Product Specification

### Material

Brass Material, Chrome Finished

### Product Capability

Inlet Connection : G1/2"  
 Water Supply Temperature : 1°C - 55°C  
 Water Supply Pressure : 0.5 Bar - 7 Bar  
 DC : 6V  
 AC : 100V - 240V

### Package Include

Brass Body  
 Cold Flexible Hose  
 Control Box  
 Adaptor  
 Locking Nut & Seals

### PUB Approved

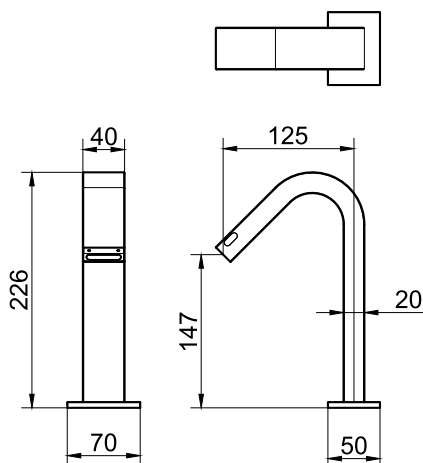
Water Efficiency  
 Water Consumption  
 Registration No

### Product Features

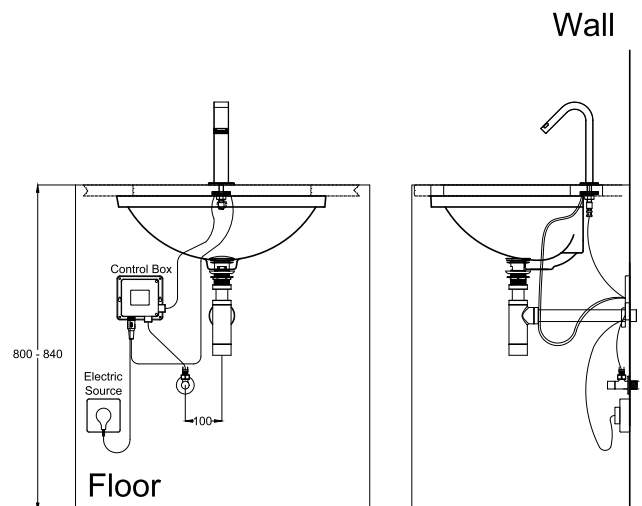
Cold  
 Sensor Technology  
 Sensor Soap Dispenser  
 Touch Technology  
 Microcomputer Control Technology



## Technical Drawing



## Installation Details



*Disclaimer : While we endeavor to provide the most accurate, up-to-date information available, the content on this document may be change due to requirements in different sites, markets and/or countries, out of date or include omissions, inaccuracies or other errors. All content is subject to change without prior notice.*