

Product Specification

Material

Brass Material, Chrome Finished

Product Capability

Inlet Connection : G1/2"
 Water Supply Temperature : 1°C - 55°C
 Water Supply Pressure : 0.5 Bar - 7 Bar
 DC : 6V
 AC : 100V - 240V

Package Include

Brass Body
 Hot & Cold Flexible Hose
 Control Box
 Adaptor
 Locking Nut & Seals

PUB Approved

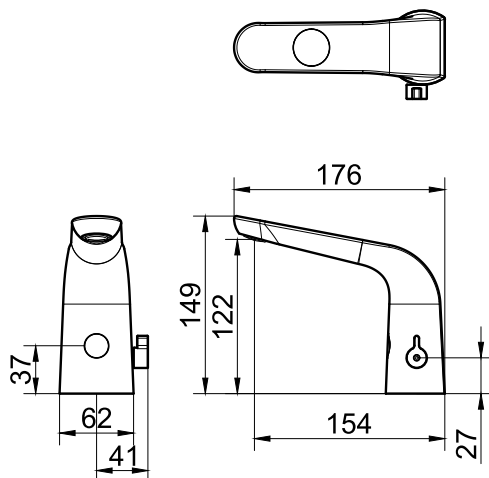
Water Efficiency : Excellent ✓✓✓
 Water Consumption : 1.90 liter/min
 Registration No : BST-2019/028225/SLS

Product Features

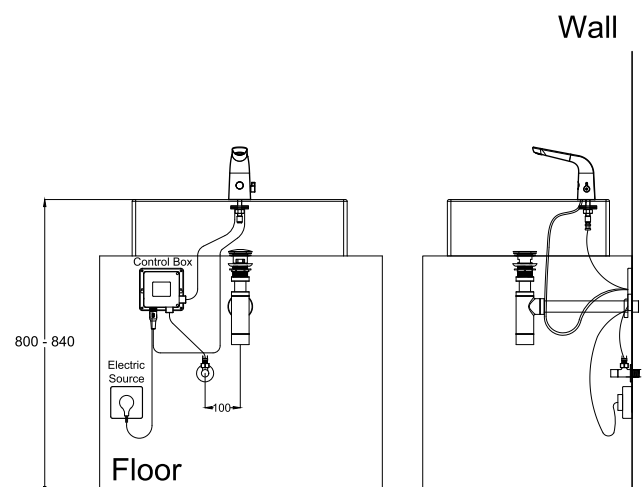
Hot & Cold
 Sensor Technology
 Touch Technology
 Microcomputer Control Technology



Technical Drawing



Installation Details



Disclaimer : While we endeavor to provide the most accurate, up-to-date information available, the content on this document may be change due to requirements in different sites, markets and/or countries, out of date or include omissions, inaccuracies or other errors. All content is subject to change without prior notice.