

## Product Specification

### Material

Brass Material, Black Matte & Chrome Finished

### Product Capability

Cartridge : Mixer Ceramic Cartridge Sedal  
 Durable test : 70.000 cycles  
 (Based on EN817 : 2008)  
 Maximum Pressure : 7 kg/cm<sup>2</sup>  
 Maximum Temperature : 90°C  
 Working Pressure : ½ - 4 kg/cm<sup>2</sup>

### Package Include

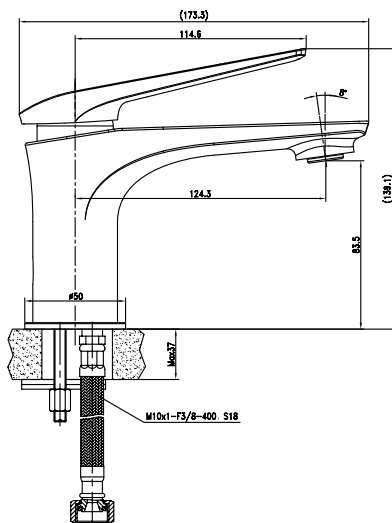
Brass Body  
 Hot & Cold Flexible Hoses  
 Locking Nut & Seals

### Product Features

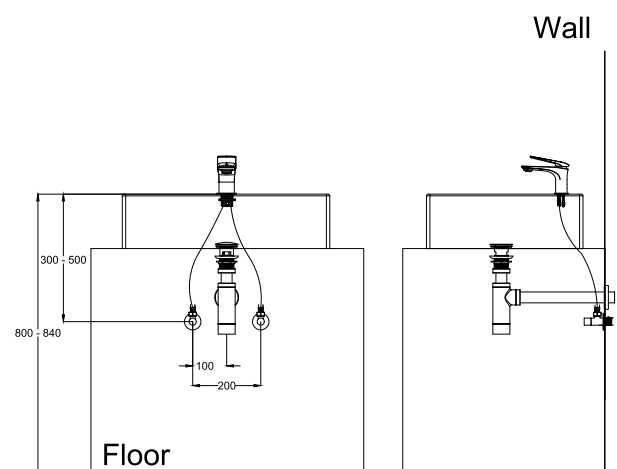
Hot & Cold  
 NEOPERL Aerator  
 PVD Coated Painting



## Technical Drawing



## Installation Details



*Disclaimer : While we endeavor to provide the most accurate, up-to-date information available, the content on this document may be change due to requirements in different sites, markets and/or countries, out of date or include omissions, inaccuracies or other errors. All content is subject to change without prior notice.*