

## Product Specification

### Material

Brass Material, Chrome Finished

### Product Capability

Cartridge : Cold Ceramic Cartridge Hent  
 Durable test : 500.000 cycles

Maximum Pressure : 7 kg/cm<sup>2</sup>  
 Maximum Temperature : 90°C  
 Working Pressure : ½ - 4 kg/cm<sup>2</sup>

### Package Include

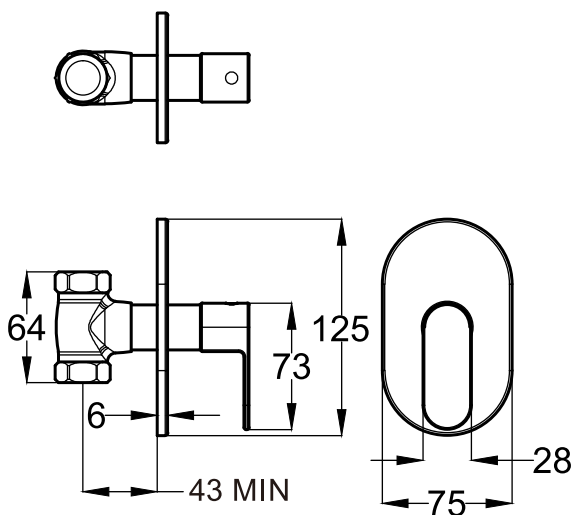
Brass Body  
 Brass Frame  
 Handle  
 L-Key

### Product Features

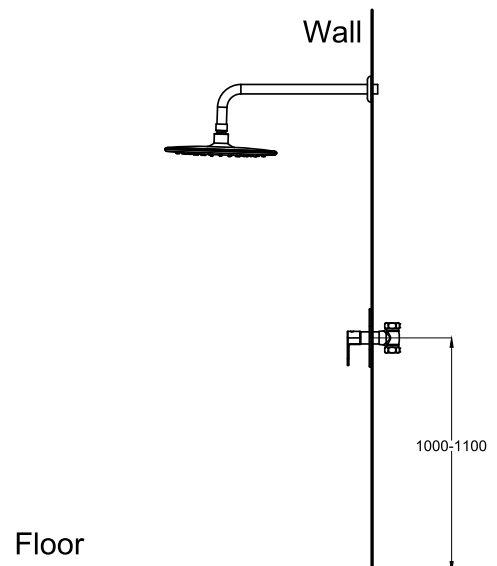
Cold



## Technical Drawing



## Installation Details



*Disclaimer : While we endeavor to provide the most accurate, up-to-date information available, the content on this document may be change due to requirements in different sites, markets and/or countries, out of date or include omissions, inaccuracies or other errors. All content is subject to change without prior notice.*