

### Product Specification

#### Material

Brass Material, Chrome Finished

#### Product Capability

Cartridge : Mixer Ceramic Cartridge Sedal  
Durable test : 70.000 cycles  
(Based on EN817 : 2008)  
Maximum Pressure : 7 kg/cm<sup>2</sup>  
Maximum Temperature : 90°C  
Working Pressure : ½ - 4 kg/cm<sup>2</sup>

#### Package Include

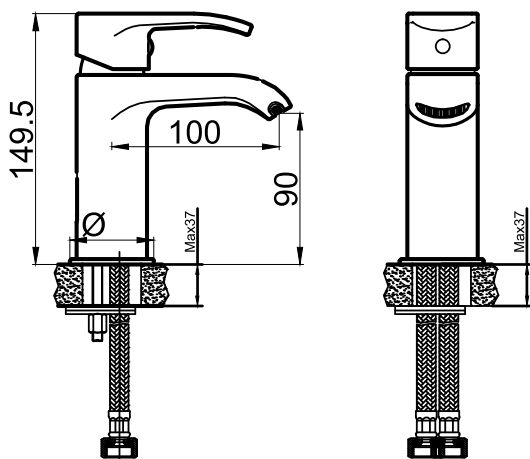
Brass Body  
Hot & Cold Flexible Hoses  
Locking Nut & Seals

#### Product Features

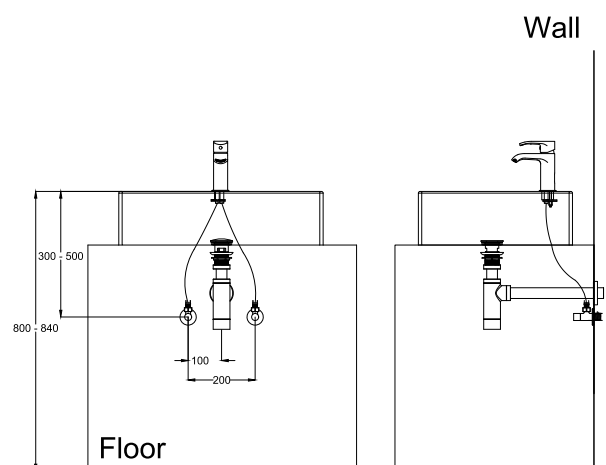
Cold  
NEOPERL® Aerator



### Technical Drawing



### Installation Details



Disclaimer : While we endeavor to provide the most accurate, up-to-date information available, the content on this document may be change due to requirements in different sites, markets and/or countries, out of date or include omissions, inaccuracies or other errors. All content is subject to change without prior notice.