

## Product Specification

### Material

Brass Material, Chrome Finished

### Product Capability

Cartridge : Cold Ceramic Cartridge Hent  
 Durable test : 500,000 cycles  
 (Based on ASME A 112. 18. 1 - 2008)  
 Maximum Pressure : 7 kg/cm<sup>2</sup>  
 Maximum Temperature : 90°C  
 Working Pressure : ½ - 4 kg/cm<sup>2</sup>

### Package Include

Brass Body  
 SS Ring Cap

### PUB Approved

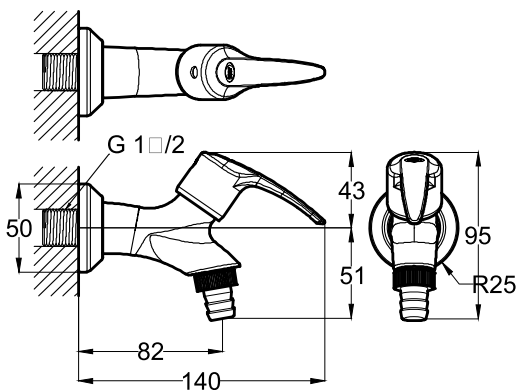
Water Efficiency : Excellent ✓✓✓  
 Water Consumption : 4.00 liter/min  
 Registration No : SKT/BT-2016/020605

### Product Feature

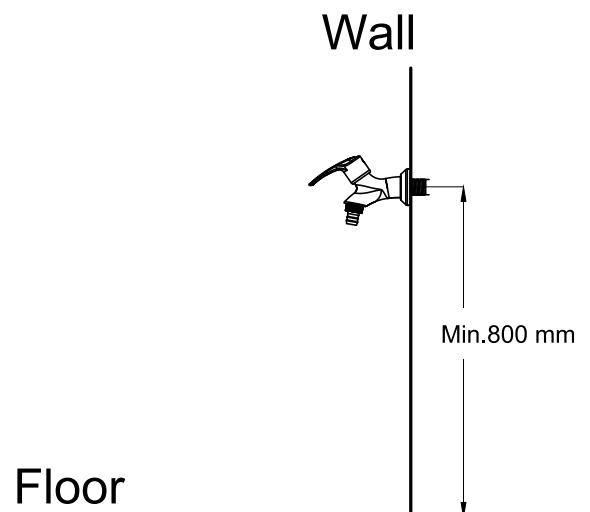
Nepple for flexible hose is included



## Technical Drawing



## Installation Details



*Disclaimer : While we endeavor to provide the most accurate, up-to-date information available, the content on this document may be change due to requirements in different sites, markets and/or countries, out of date or include omissions, inaccuracies or other errors. All content is subject to change without prior notice.*